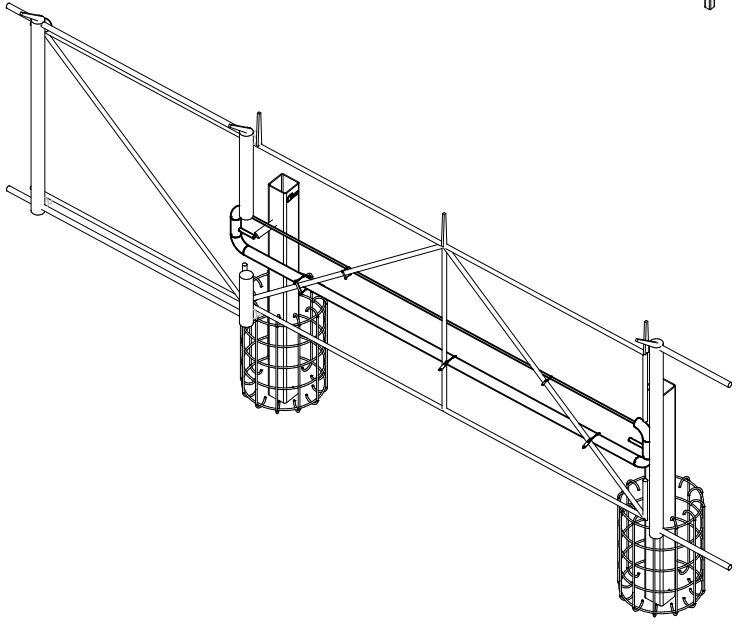
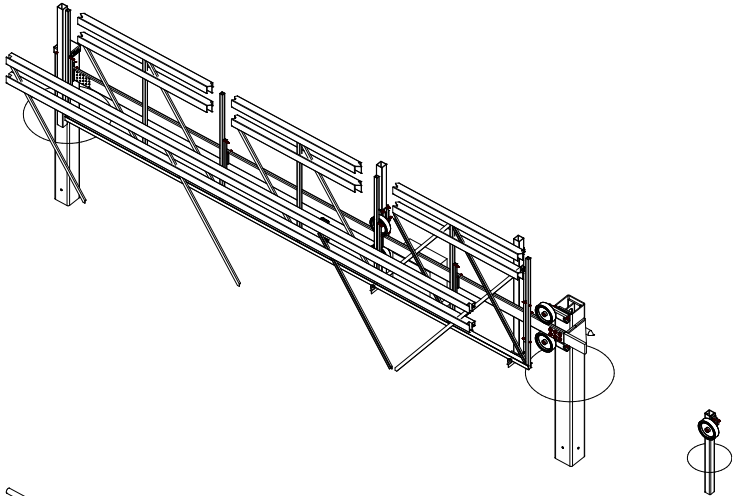
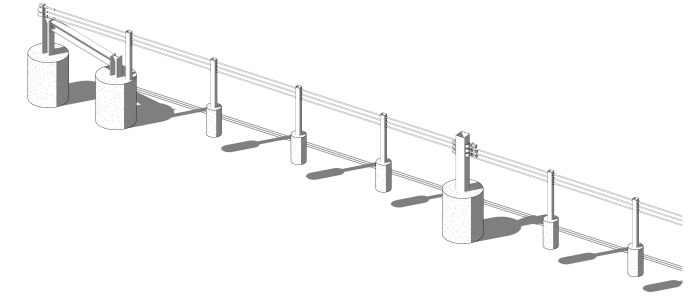


Attentus Product Manuals

Knoxville, TN

Attentus Consulting is a Knoxville based company that specializes in parking access control equipment. In 2018, the company started on a campaign to re-brand and re-engineer their products to provide the most effective and efficient product services.

S2A was commissioned to bring the outdated product line specifications to date. Attentus provided the training and information manuals for 15+ products. S2A used this existing information to create 3D parametric models, as well as update specification documents, that can be used by engineers in coordinating their specific project needs. Additionally, S2A was involved with providing 3D photo-realistic images for marketing purposes to help clients better understand the product.



Client Attentus Consulting Group |
Knoxville, TN
Services 3D Product Modeling, Development of
Specification Documents